

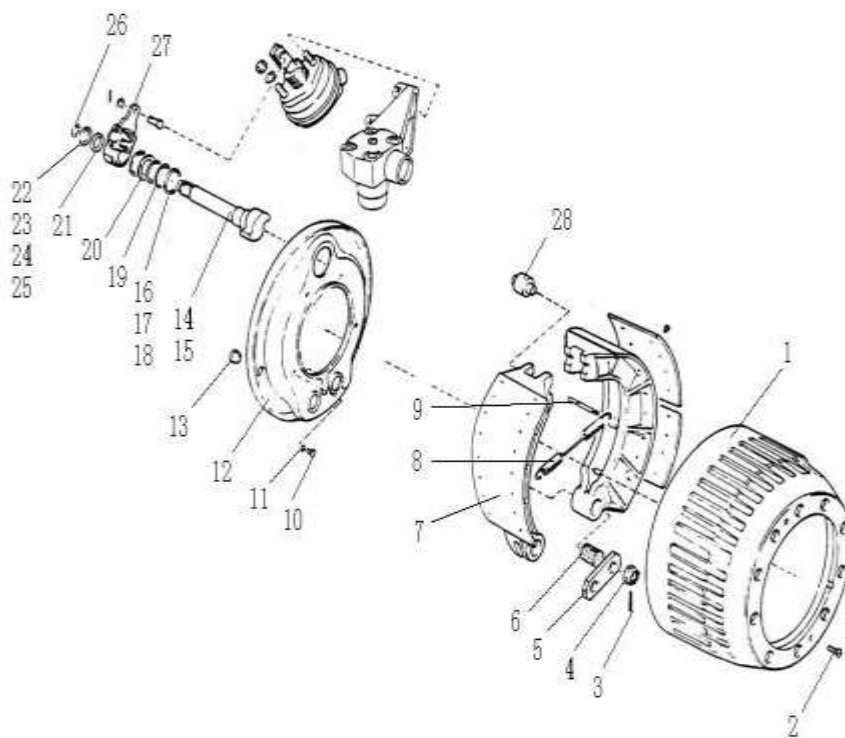
## 5. 前轴和转向/Front Axle and Steering System

| 序号/ No. | 名 称 / Designation                       |       | 页 码 / Page No. |
|---------|---|-------|----------------|
| 5.01    | 转向横拉杆/Tie rod ass.                      | ----- | 1              |
| 5.02    | 转向直拉杆/Tie rod ass.                      | ----- | 2              |
| 5.03    | 6.5吨拳形轴前轮制动器/Brake System of Front axle | ----- | 3              |
| 5.04    | HOWO前轴(7吨, 无ABS)/Front Axle             | ----- | 5              |
| 5.05    | 转向装置/Steering System                    | ----- | 9              |





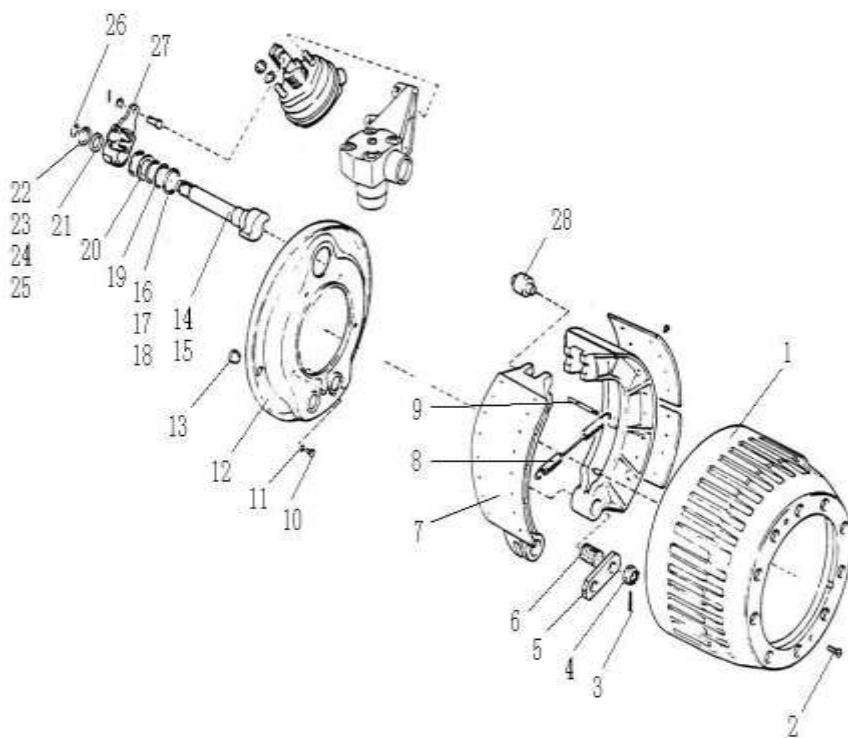
### 5.03 6.5吨拳形轴前轮制动器/Brake System of Front axle



### 5.03 6.5吨拳形轴前轮制动器/Brake System of Front axle

| 序号  | 零部件图号        | 名称          | Part Name       | 数量  | 备注            |
|-----|--------------|-------------|-----------------|-----|---------------|
| No. | Part No.     |             |                 | Qty | Remark        |
| 1   | WG9112440001 | 制动鼓         | Brake drum      | 2   |               |
| 2   | Q2541025     | 十字槽沉头螺钉     | Screw           | 4   |               |
| 3   | Q5005045     | 开口销         | Split pin       | 4   |               |
| 4   | 190003872369 | 六角槽形扁螺母(细牙) | Nut             | 4   |               |
| 5   | WG880440008  | 限位板         | Plate           | 2   |               |
| 6   | WG880440006  | 衬套          | Bush            | 4   |               |
| 7   | WG9100440030 | 制动蹄总成       | Brake shoe ass. | 4   |               |
| 8   | AZ9100440061 | 回位弹簧        | Return spring   | 2   |               |
| 9   | WG1218G85    | 制动弹簧销       | Spring pin      | 4   |               |
| 10  | Q150B0816    | 六角头螺栓       | Screw           | 8   | To 20110308   |
| 10  | Q150B0812    | 六角头螺栓       | Screw           | 8   | From 20110308 |
| 11  | Q40308       | 弹簧垫圈        | Washer          | 8   |               |
| 12  | 1880 440007  | 制动器防尘罩      | Dustproof cover | 2   |               |
| 13  | WG880340037  | 密封圈         | Washer          | 4   |               |
| 14  | WG9100440001 | 制动凸轮轴(左)    | Camshaft -left  | 1   |               |
| 15  | WG9100440002 | 制动凸轮轴(右)    | Camshaft -right | 1   |               |
| 16  | WG880440010  | 附加垫片        | Washer          | 4   |               |
| 17  | WG9100440011 | 附加垫片        | Washer          | 4   |               |
| 18  | WG9100440012 | 附加垫片        | Washer          | 4   |               |

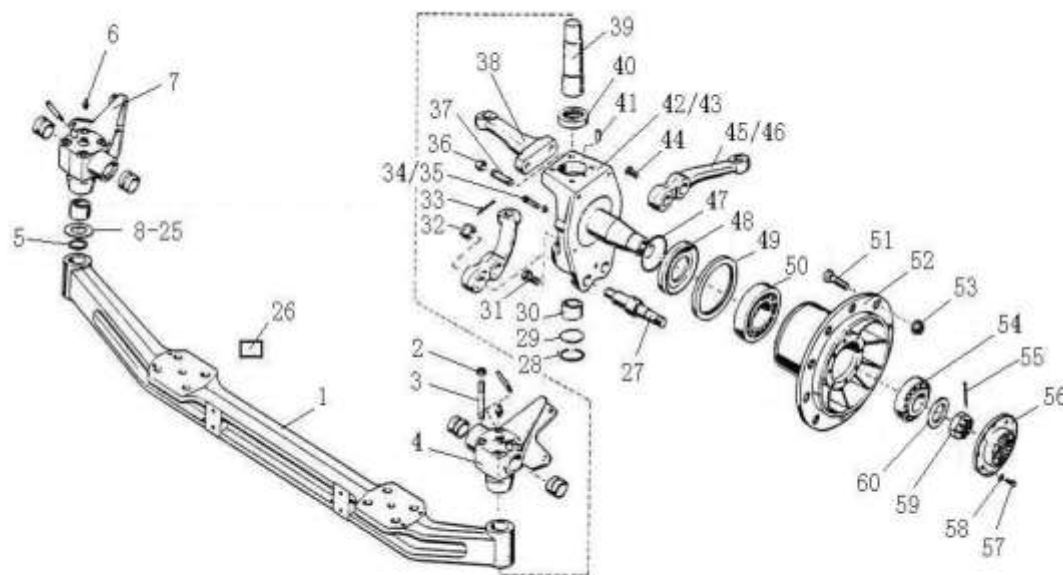
5.03 6.5吨拳形轴前轮制动器/Brake System of Front axle



5.03 6.5吨拳形轴前轮制动器/Brake System of Front axle

| 序号  | 零部件图号        | 名称      | Part Name      | 数量  | 备注     |
|-----|--------------|---------|----------------|-----|--------|
| No. | Part No.     |         |                | Qty | Remark |
| 19  | WG880340023  | O形密封圈   | O-ring         | 4   |        |
| 20  | WG880440015  | 隔套      | Sleeve         | 2   |        |
| 21  | WG880340022  | 垫圈      | Washer         | 2   |        |
| 22  | WG80 320028  | 调整垫圈    | Washer         | 1   |        |
| 23  | WG80 320029  | 调整垫圈    | Washer         | 1   |        |
| 24  | WG80 320030  | 调整垫圈    | Washer         | 1   |        |
| 25  | WG80 320046  | 调整垫圈    | Washer         | 1   |        |
| 26  | 190003933116 | 轴用弹簧档圈  | Snap ring      | 2   |        |
| 27  | WG9100440005 | 间隙调整臂总成 | Slack adjuster | 2   |        |
| 28  | WG9100440021 | 滚轮      | Roller         | 4   |        |
|     |              |         |                |     |        |
|     |              |         |                |     |        |
|     |              |         |                |     |        |
|     |              |         |                |     |        |
|     |              |         |                |     |        |
|     |              |         |                |     |        |
|     |              |         |                |     |        |
|     |              |         |                |     |        |
|     |              |         |                |     |        |

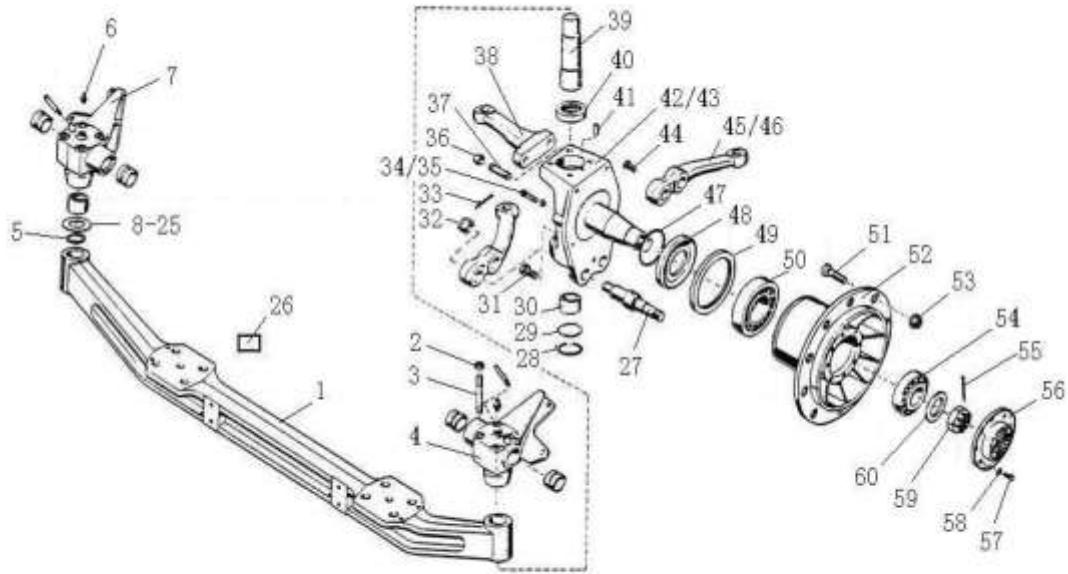
### 5.04 HOWO前轴(7吨,无ABS)/Front Axle



### 5.04 HOWO前轴(7吨,无ABS)/Front Axle

| 序号  | 零部件图号        | 名称             | Part Name           | 数量  | 备注                |
|-----|--------------|----------------|---------------------|-----|-------------------|
| No. | Part No.     |                |                     | Qty | Remark            |
| 0   | AZ9719410107 | 7吨前轴总成         | Front axle ass.     | 1   |                   |
| 1   | AZ9719410083 | 前轴(7T, 3度内倾)   | Front axle          | 1   |                   |
| 2   | 190003888458 | 自锁螺母           | Nut                 | 8   |                   |
| A   | 199112410057 | 转向节总成 左 ABS    | Knuckle ass. -left  | 1   | Incl.(3,28-30,42) |
| B   | 199112410058 | 转向节总成 右 ABS    | Knuckle ass. -right | 1   | Incl.(3,28-30,43) |
| 3   | WG880 410075 | 双头螺柱           | Stud                | 4   |                   |
| 4   | WG9100410032 | 支架总成(左)        | Bracket ass.-left   | 1   |                   |
| 5   | WG880 410052 | O形密封圈          | O-ring              | 2   |                   |
| 6   | AZ9003963004 | 滑脂嘴总成(Q701B70) | Grease nozzle ass.  | 2   |                   |
| 6.1 | AZ9003963010 | 滑脂嘴帽           | Cap                 | 1   |                   |
| 6.2 | Q701B70      | 弯颈油脂嘴          | Grease nozzle       | 1   |                   |
| 7   | WG9100410036 | 支架总成(右)        | Bracket ass.-right  | 1   |                   |
| 8   | WG880 410094 | 垫圈             | Washer              | 1   |                   |
| 9   | 1880 410095  | 垫圈             | Washer              | 1   |                   |
| 10  | 1880 410096  | 垫圈             | Washer              | 1   |                   |
| 11  | WG880 410097 | 垫圈             | Washer              | 1   |                   |
| 12  | 1880 410104  | 垫圈             | Washer              | 1   |                   |
| 13  | 1880 410105  | 垫圈             | Washer              | 1   |                   |
| 14  | 1880 410106  | 垫圈             | Washer              | 1   |                   |

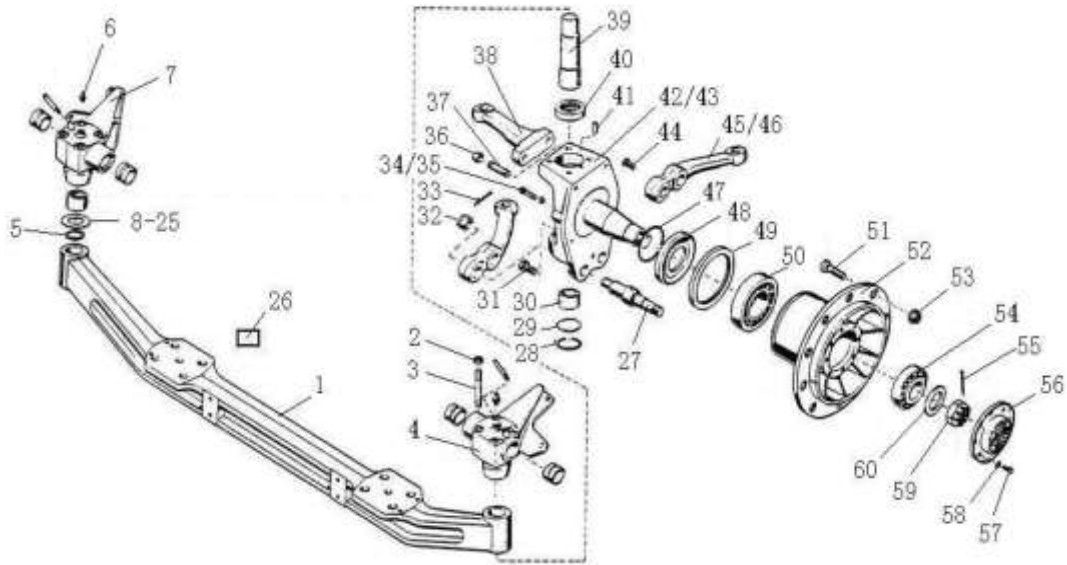
### 5.04 HOWO前轴(7吨,无ABS)/Front Axle



### 5.04 HOWO前轴(7吨,无ABS)/Front Axle

| 序号  | 零部件图号        | 名称          | Part Name   | 数量  | 备注            |
|-----|--------------|-------------|-------------|-----|---------------|
| No. | Part No.     |             |             | Qty | Remark        |
| 15  | 1880 410107  | 垫圈          | Washer      | 1   |               |
| 16  | 1880 410108  | 垫圈          | Washer      | 1   |               |
| 17  | AZ9100410085 | 垫圈          | Washer      | 1   |               |
| 18  | AZ9100410086 | 垫圈          | Washer      | 1   |               |
| 19  | AZ9100410087 | 垫圈          | Washer      | 1   |               |
| 20  | AZ9100410088 | 垫圈          | Washer      | 1   |               |
| 21  | AZ9100410089 | 垫圈          | Washer      | 1   |               |
| 22  | AZ9100410090 | 垫圈          | Washer      | 1   |               |
| 23  | AZ9100410091 | 垫圈          | Washer      | 1   |               |
| 24  | AZ9100410092 | 垫圈          | Washer      | 1   |               |
| 25  | AZ9100410093 | 垫圈          | Washer      | 1   |               |
| 26  | WG2297Y4835  | 铭牌          | Nameplate   | 1   | To 20110308   |
| 26  | WG9719410028 | 铭牌          | Nameplate   | 1   | From 20110308 |
| 27  | WG880 410038 | 制动蹄支承销      | Support pin | 4   |               |
| 28  | Q43056       | 孔用弹性挡圈      | Spacer      | 1   |               |
| 29  | WG880 410100 | 盖           | Cover       | 1   |               |
| 30  | WG9100410129 | 衬套          | Bush        | 1   |               |
| 31  | Q151C1220    | 六角头螺栓       | Screw       | 4   |               |
| 32  | 190003872377 | 六角槽形扁螺母(细牙) | Nut         | 4   |               |

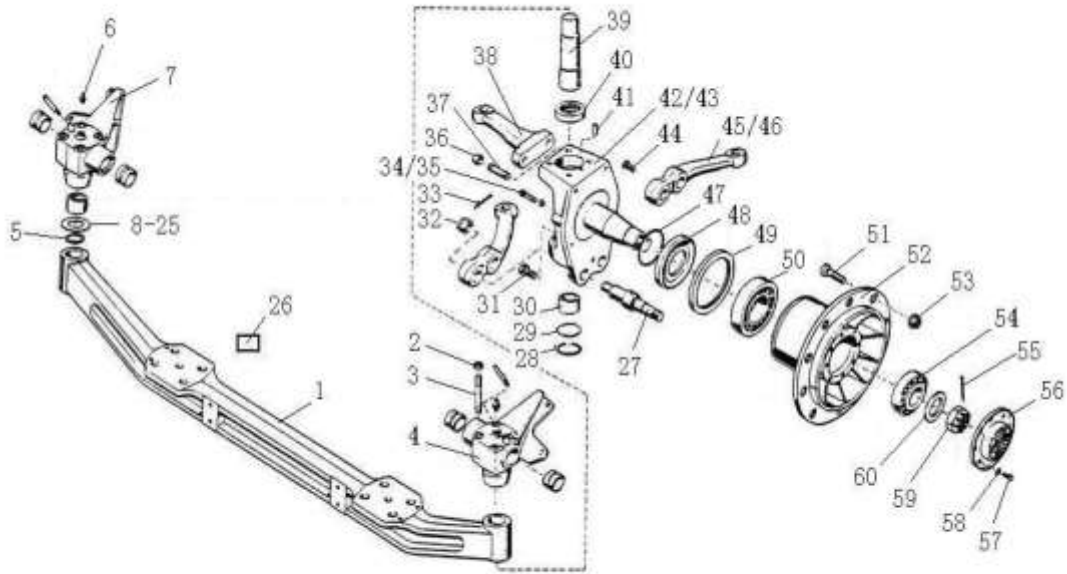
### 5.04 HOWO前轴(7吨,无ABS)/Front Axle



### 5.04 HOWO前轴(7吨,无ABS)/Front Axle

| 序号  | 零部件图号        | 名称               | Part Name          | 数量  | 备注            |
|-----|--------------|------------------|--------------------|-----|---------------|
| No. | Part No.     |                  |                    | Qty | Remark        |
| 33  | Q5005050     | 开口销              | Split pin          | 4   |               |
| 34  | WG880 410059 | 调整螺钉             | Adjusting Screw    | 2   |               |
| 35  | Q351B14T15   | 六角薄螺母            | Nut                | 2   |               |
| 36  | WG880 410060 | 双头螺柱             | Stud               | 2   |               |
| 37  | 190003888626 | 自锁螺母             | Nut                | 2   |               |
| 38  | AZ9719410005 | 转向节臂             | Steering arm       | 1   |               |
| 39  | WG880 410031 | 转向节销             | Knuckle pin        | 2   | To 20100528   |
| 39  | WG9719410031 | 转向节销             | Knuckle pin        | 2   | From 20100528 |
| 40  | WG9700410049 | 前轴推力轴承           | Bearing            | 2   |               |
| 41  | Q5211016     | 园柱销              | Cylinder pin       | 2   |               |
| 42  | AZ9112410055 | 转向节(左)           | Knuckle -left      | 1   |               |
| 43  | AZ9112410056 | 转向节(右)           | Knuckle - right    | 1   |               |
| 44  | WG9100410060 | 保护套              | Protective sleeve  | 2   |               |
| 45  | AZ9719410041 | 转向横拉杆臂(左)        | Tie rod arm -left  | 1   |               |
| 46  | AZ9719410040 | 转向横拉杆臂(右)        | Tie rod arm -right | 1   |               |
| 47  | WG295420033  | O形密封园            | O-ring             | 2   |               |
| 48  | WG9900410114 | 隔环               | Spacer             | 2   |               |
| 49  | WG9003074387 | 轴用密封圈            | Sealing ring       | 2   |               |
| 50  | 190003326543 | 圆锥滚子轴承 32314 GB/ | Roller bearing     | 2   |               |

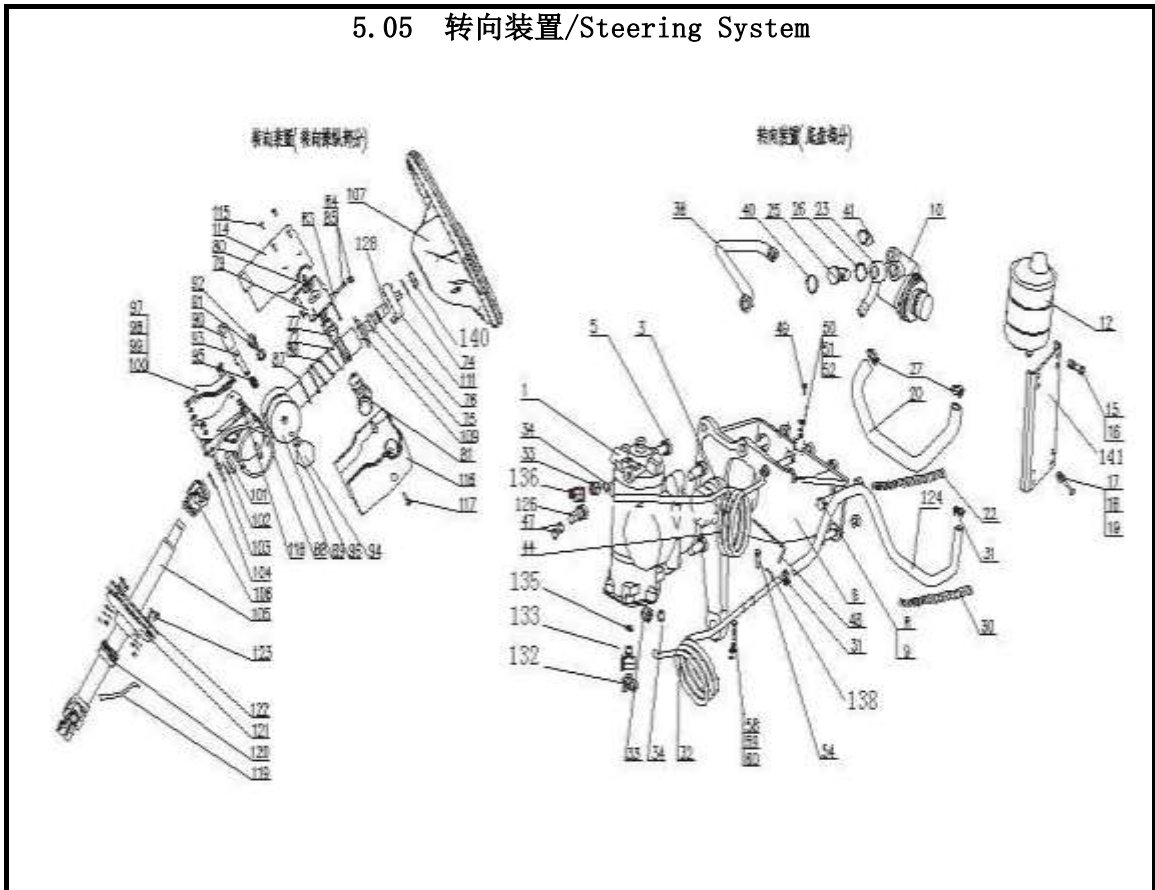
### 5.04 HOWO前轴(7吨,无ABS)/Front Axle



### 5.04 HOWO前轴(7吨,无ABS)/Front Axle

| 序号  | 零部件图号        | 名称               | Part Name      | 数量  | 备注           |
|-----|--------------|------------------|----------------|-----|--------------|
| No. | Part No.     |                  |                | Qty | Remark       |
| C   | 199112410010 | 前轮毂总成            | Front hub ass. | 2   | Incl.(51,52) |
| 51  | WG9100410104 | 车轮螺栓             | Wheel Nut      | 10  |              |
| 52  | WG9112410009 | 前轮毂              | Front hub      | 1   |              |
| 53  | WG9003884160 | 车轮螺母             | Nut            | 20  |              |
| 54  | 190003326531 | 圆锥滚子轴承 32310 GB/ | Roller bearing | 2   |              |
| 55  | Q5006370     | 开口销              | Split pin      | 2   |              |
| 56  | WG9100410043 | 罩                | Cover          | 2   |              |
| 57  | Q150B0816    | 六角头螺栓            | Screw          | 16  |              |
| 58  | Q40308       | 弹簧垫圈             | Washer         | 16  |              |
| 59  | AZ9100411140 | 转向节锁紧螺母          | Nut            | 2   |              |
| 60  | WG9100410062 | 垫片               | Shim           | 2   |              |
|     |              |                  |                |     |              |
|     |              |                  |                |     |              |
|     |              |                  |                |     |              |
|     |              |                  |                |     |              |
|     |              |                  |                |     |              |
|     |              |                  |                |     |              |
|     |              |                  |                |     |              |
|     |              |                  |                |     |              |
|     |              |                  |                |     |              |

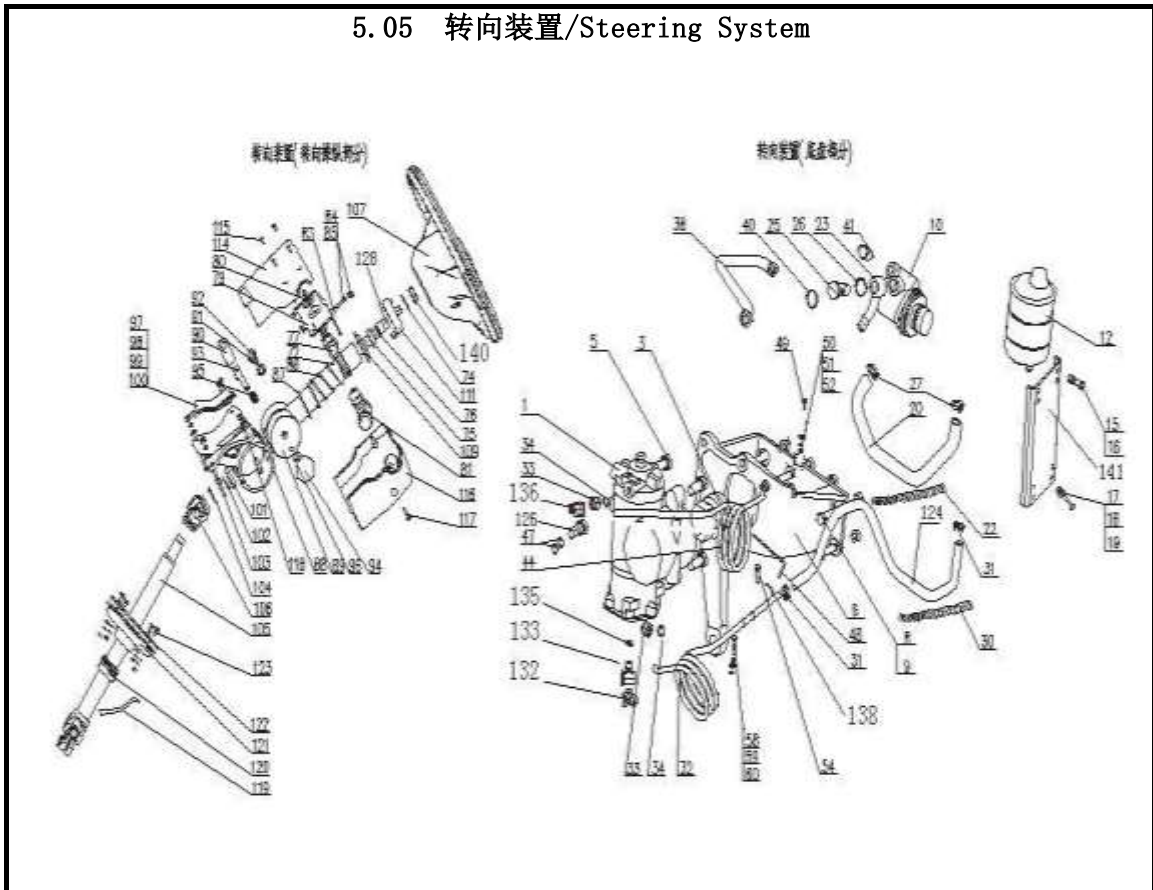
### 5.05 转向装置/Steering System



### 5.05 转向装置/Steering System

| 序号  | 零部件图号        | 名称          | Part Name             | 数量  | 备注     |
|-----|--------------|-------------|-----------------------|-----|--------|
| No. | Part No.     |             |                       | Qty | Remark |
| 1   | WG9725478228 | ZF8098动力转向器 | Steering gearbox      | 1   |        |
| 3   | WG9725478020 | 转向摇臂        | Drop arm              | 1   |        |
| 5   | Q151B2045TF2 | 六角头螺栓       | Screw                 | 5   |        |
| 6   | WG9725470295 | 转向器支架       | Bracket               | 1   |        |
| 8   | Q151B1660TF2 | 六角头螺栓       | Screw                 | 6   |        |
| 9   | 190003888627 | 自锁螺母        | Nut                   | 6   |        |
| 10  | WG9619470080 | 转向助力叶片泵     | Hydraulic pump        | 1   |        |
| 12  | WG9925470033 | 动力转向油罐总成    | Oil tank              | 1   |        |
| 15  | Q150B1020    | 六角头螺栓       | Screw                 | 4   |        |
| 16  | Q33210       | 2型全金属六角锁紧螺母 | Nut                   | 4   |        |
| 17  | Q150B1030    | 六角头螺栓       | Screw                 | 4   |        |
| 18  | Q33210       | 2型全金属六角锁紧螺母 | Nut                   | 4   |        |
| 19  | Q40110       | 平垫圈         | Washer                | 4   |        |
| 20  | WG9100470020 | 成型软管        | Hose                  | 1   |        |
| 22  | AZ9100470084 | 弹簧护圈        | Spring protect sleeve | 1   |        |
| 23  | WG9100470076 | 环状接头        | Connecter             | 1   |        |
| 25  | 190003962651 | 空心螺栓        | Female screw          | 1   |        |
| 26  | 190003098031 | 密封垫圈        | Washer                | 2   |        |
| 27  | 190003989301 | 软管卡箍        | Hose clip             | 2   |        |

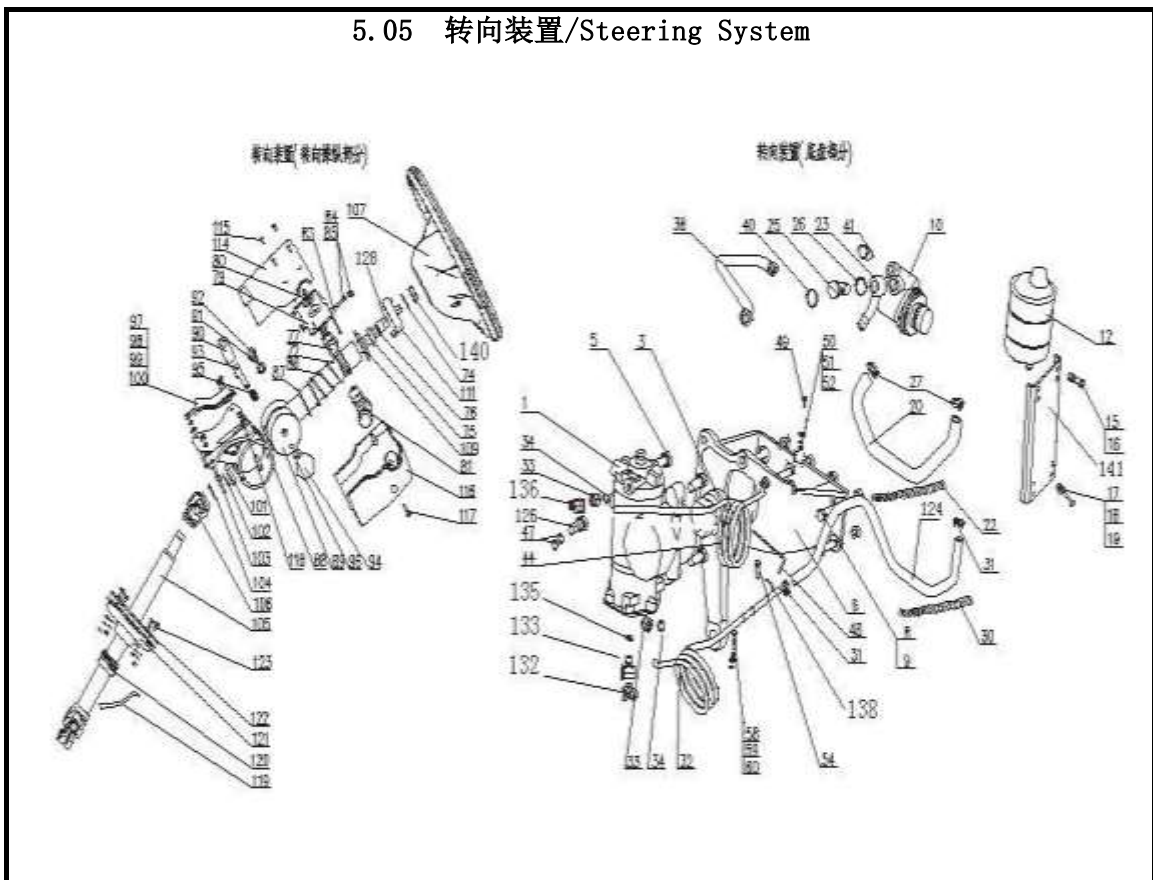
### 5.05 转向装置/Steering System



### 5.05 转向装置/Steering System

| 序号  | 零部件图号        | 名称       | Part Name             | 数量  | 备注          |
|-----|--------------|----------|-----------------------|-----|-------------|
| No. | Part No.     |          |                       | Qty | Remark      |
| 30  | 17017470015  | 弹簧护套     | Spring protect sleeve | 1   |             |
| 31  | 190003989336 | 软管卡箍     | Hose clip             | 2   |             |
| 32  | AZ9725477032 | 螺旋回油管    | Oil pipe - return     | 1   |             |
| 33  | 190003559515 | 管接头用螺母   | Nut                   | 3   |             |
| 34  | 190003559562 | 卡套       | Cutting sleeve        | 3   |             |
| 35  | 252-3407054  | 密封圈      | Washer                | 1   | To 20100813 |
| 36  | 252-3407055  | 紧固螺母     | Nut                   | 1   | To 20100813 |
| 37  | 252-3407056  | 弯管接头     | Connector             | 1   | To 20100813 |
| 38  | WG9725477107 | 高压软管     | Hose (high pressure)  | 1   |             |
| 40  | T071800      | 组合密封圈    | Gasket                | 2   |             |
| 41  | WG9725470110 | 卡套式旋转管接头 | Connector             | 1   |             |
| 44  | AZ9725477033 | 螺旋压油管    | Oil pipe - intake     | 1   |             |
| 45  | AZ9118470070 | 卡套式铰接接头体 | Connector             | 1   | To 20100813 |
| 47  | T071800      | 组合密封圈    | Gasket                | 2   |             |
| 48  | AZ9725477020 | 支架       | Bracket               | 1   |             |
| 49  | Q150B0830    | 六角头螺栓    | Screw                 | 1   |             |
| 50  | Q340B08      | 1型六角螺母   | Nut                   | 1   |             |
| 51  | Q40308       | 弹簧垫圈     | Spring washer         | 1   |             |
| 52  | Q40208       | 大垫圈      | Washer                | 1   |             |

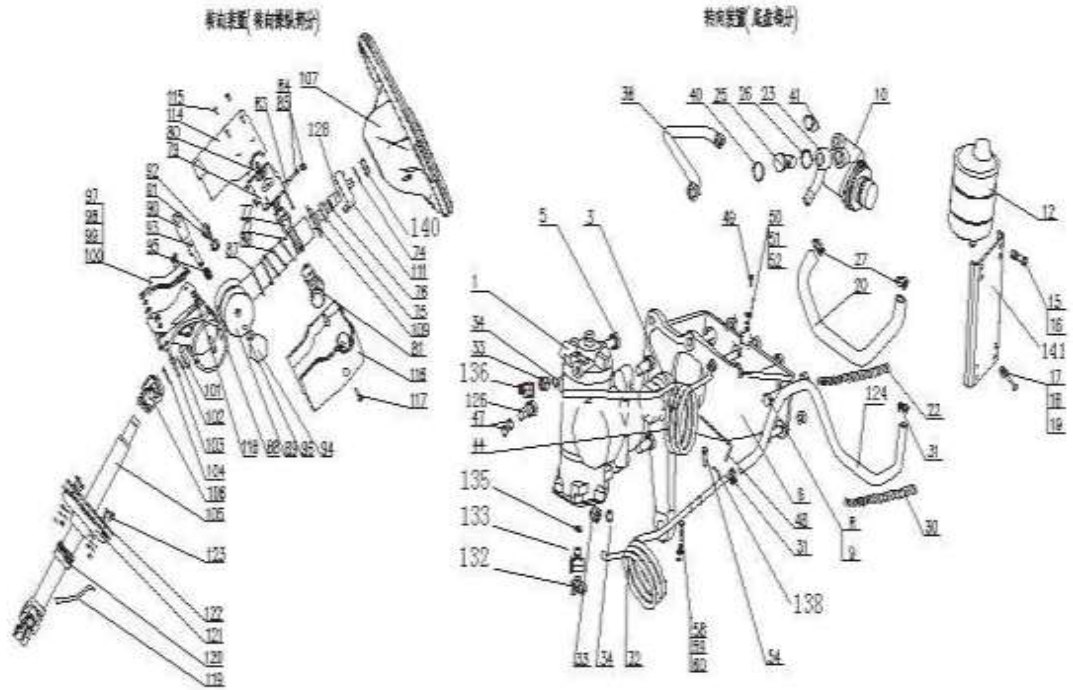
### 5.05 转向装置/Steering System



### 5.05 转向装置/Steering System

| 序号<br>No. | 零部件图号<br>Part No. | 名称            | Part Name              | 数量<br>Qty | 备注<br>Remark |
|-----------|-------------------|---------------|------------------------|-----------|--------------|
| 54        | Q150B0635         | 六角头螺栓         | Screw                  | 3         |              |
| 55        | 199114360003      | 板             | Plate                  | 2         | To 20100813  |
| 56        | 131100040007      | 管夹            | Clip                   | 2         | To 20100813  |
| 57        | Q150B0620         | 六角头螺栓         | Screw                  | 10        | To 20100813  |
| 58        | Q340B06           | I型六角螺母        | Nut                    | 3         |              |
| 59        | Q40206            | 大垫圈           | Washer                 | 3         |              |
| 60        | Q40306            | 弹簧垫圈          | Spring washer          | 3         |              |
| 61        | 190003129055      | 橡胶管口          | Pipe                   | 100       | To 20100813  |
| 62        | 190003489292      | 绝缘套管          | Sleeve                 | 15        | To 20100813  |
| 63        | 138091360181      | 管夹            | Clip                   | 1         | To 20100813  |
| 64        | Q68225            | 一端固定式单管夹片     | Clip                   | 1         | To 20100813  |
| 65        | WG97 350169       | 角形支架          | Angle bracket          | 1         | To 20100813  |
| 67        | 161000060211      | 橡胶软管(Φ15/Φ21) | Hose                   | 1         | To 20100813  |
| 68        | Q150B0630         | 六角头螺栓         | Screw                  | 1         | To 20100813  |
| 70        | AZ9719471050      | 转向轴带管柱总成      | Steering tube assembly | 1         |              |
| 72        | AZ9719470051      | 转向轴套          | Sleeve                 | 1         |              |
| 74        | Q41822            | 波形弹性垫圈        | Spring washer          | 1         |              |
| 75        | AZ9003320012      | 深沟球轴承         | Ball bearing           | 1         |              |
| 76        | Q43125            | 轴用弹性挡圈        | Snap ring              | 1         |              |

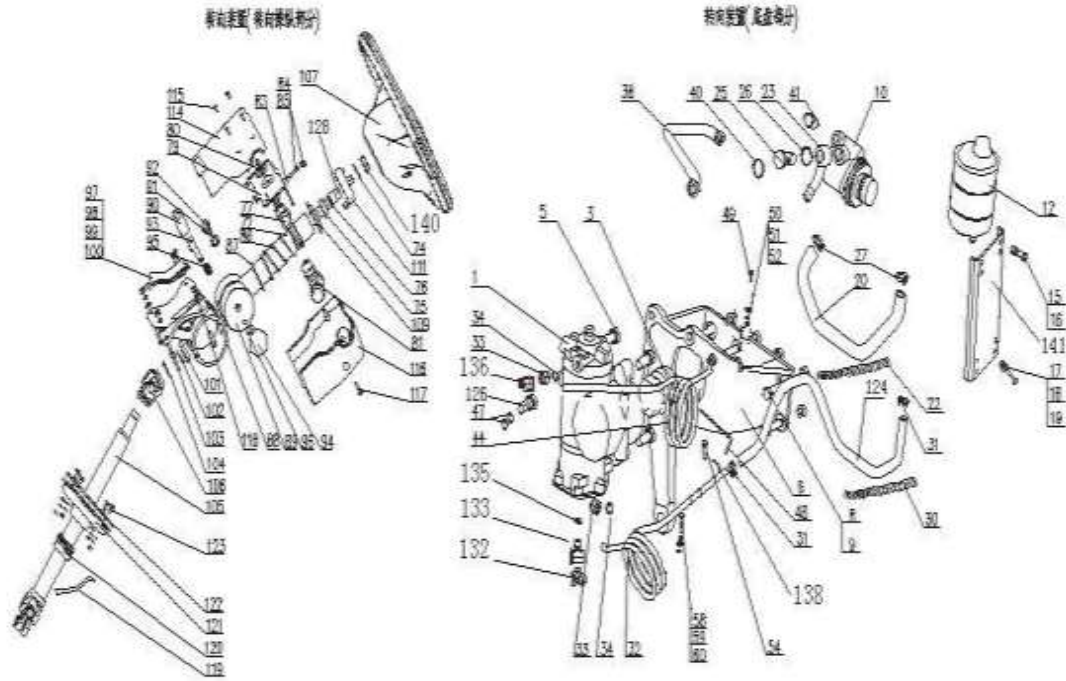
### 5.05 转向装置/Steering System



### 5.05 转向装置/Steering System

| 序号  | 零部件图号         | 名称         | Part Name            | 数量  | 备注     |
|-----|---------------|------------|----------------------|-----|--------|
| No. | Part No.      |            |                      | Qty | Remark |
| 77  | WG9725470005  | 固定夹        | Clip                 | 1   |        |
| 79  | AZ9719470424  | 支座         | Support seat         | 1   |        |
| 80  | Q150B0865     | 六角头螺栓      | Screw                | 2   |        |
| 81  | WG9725580098  | 钥匙起动开关锁体总成 | Start switch         | 1   |        |
| 83  | 81.95801.0071 | 滚子         | Roller               | 2   |        |
| 84  | Q150B0530     | 六角头螺栓      | Screw                | 2   |        |
| 85  | Q340B05       | 1型六角螺母     | Nut                  | 2   |        |
| 86  | AZ9123470129  | 压缩弹簧       | Spring               | 1   |        |
| 87  | AZ9123470130  | 薄垫片        | Washer               | 1   |        |
| 88  | AZ9719470056  | 转向柱安装支座    | Support seat         | 1   |        |
| 89  | AZ9719470054  | 转向柱导向套     | Guiding sleeve       | 1   |        |
| 90  | AZ9719470058  | 弹性压板       | Plate                | 1   |        |
| 91  | Q40316        | 弹簧垫圈       | Spring washer        | 1   |        |
| 92  | AZ9719470057  | 行程限位螺钉     | Limit screw          | 1   |        |
| 93  | AZ9719470055  | 调整紧固螺栓     | Adjusting screw      | 1   |        |
| 94  | AZ9123470150  | 调节手轮       | Hand wheel           | 1   |        |
| 95  | AZ9123470153  | 压缩弹簧       | Spring               | 1   |        |
| 96  | AZ9123470155  | 垫圈         | Washer               | 1   |        |
| 97  | AZ9719470052  | 线束固定支架     | Bracket for wireness | 1   |        |

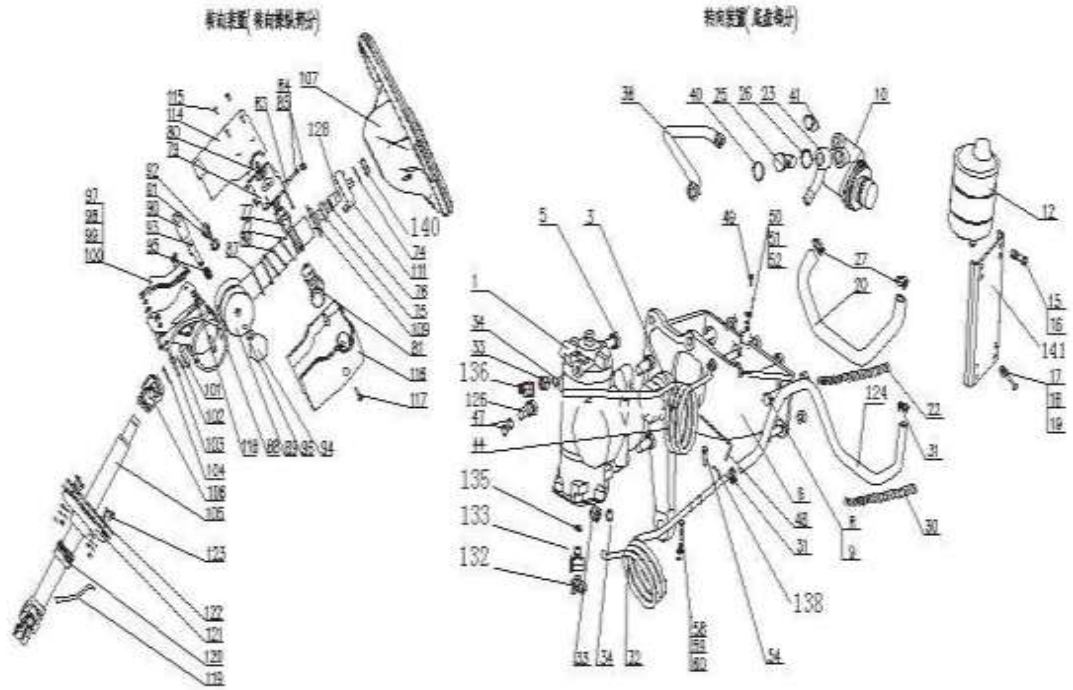
### 5.05 转向装置/Steering System



### 5.05 转向装置/Steering System

| 序号<br>No. | 零部件图号<br>Part No. | 名称          | Part Name                      | 数量<br>Qty | 备注<br>Remark |
|-----------|-------------------|-------------|--------------------------------|-----------|--------------|
| 98        | Q150B0408         | 六角头螺栓       | Screw                          | 2         |              |
| 99        | Q40304            | 弹簧垫圈        | Spring washer                  | 2         |              |
| 100       | Q40104            | 平垫圈         | washer                         | 2         |              |
| 101       | AZ9003320013      | 深沟球轴承       | Ball bearing                   | 1         |              |
| 102       | Q43130            | 轴用弹性挡圈      | Snap ring                      | 1         |              |
| 103       | 81.91710.0459     | 环           | Ring                           | 1         |              |
| 104       | Q43042            | 孔用弹性挡圈      | Snap ring                      | 1         |              |
| 105       | AZ9719470044      | 转向伸缩轴       | Telescopic shaft               | 1         |              |
| 106       | AZ9719470043      | 万向节         | Universal joint                | 1         |              |
| 107       | WG9719470100      | 转向盘         | Steering wheel                 | 1         |              |
| 109       | WG9130583024      | 接触环         | Touch ring                     | 1         |              |
| 111       | WG9130583018      | 回位环         | Ring                           | 1         |              |
| 114       | AZ9719471041      | 转向柱罩(后部)    | Rear cover of steering column  | 1         |              |
| 115       | Q2720412          | 十字槽盘头自攻螺钉   | Screw                          | 4         |              |
| 116       | AZ9719471042      | 转向柱罩(前部)    | Front cover of steering column | 1         |              |
| 117       | Q2714250          | 十字槽盘头自攻螺钉   | Screw                          | 2         |              |
| 118       | Q33208            | 2型全金属六角锁紧螺母 | Nut                            | 4         |              |
| 119       | 190003171356      | 塑料紧固带A5*280 | Fasten                         | 2         |              |
| 120       | AZ9100470410      | 衬套          | Bush                           | 1         |              |

### 5.05 转向装置/Steering System



### 5.05 转向装置/Steering System

| 序号  | 零部件图号        | 名称          | Part Name           | 数量  | 备注             |
|-----|--------------|-------------|---------------------|-----|----------------|
| No. | Part No.     |             |                     | Qty | Remark         |
| 121 | AZ9725477060 | 转向轴护套       | Sleeve              | 1   |                |
| 122 | AZ9725477065 | 压板          | Plate               | 2   |                |
| 123 | Q33206       | 2型全金属六角锁紧螺母 | Nut                 | 4   |                |
| 124 | WG9100470098 | 回油软管        | Hose - oil return   | 1   |                |
| 126 | WG9725470818 | 卡套式铰接六角螺栓   | Screw               | 1   |                |
| 128 | AZ9725470023 | 转向轴总成       | Steering shaft ass. | 1   | Incl.(129,130) |
| 129 | AZ9719470053 | 转向轴         | Steering shaft      | 1   |                |
| 130 | AZ9925470084 | 转向锁套        | Sleeve              | 1   |                |
| 132 | WG9725470818 | 卡套式铰接六角螺栓   | Screw               | 1   |                |
| 133 | WG9718470070 | 卡套式铰接接头体    | Connector           | 1   |                |
| 135 | T071800      | 组合密封圈       | Gasket              | 2   |                |
| 136 | WG9718470070 | 卡套式铰接接头体    | Connector           | 1   |                |
| 138 | 1188 730187  | 管夹          | Clip                | 5   | To 20100813    |
| 138 | WG88 730187  | 管夹          | Clip                | 4   | From 20100813  |
| 140 | Q351B22T15   | 六角薄螺母       | Nut                 | 1   | To 20100813    |
| 140 | AZ9100470436 | 六角薄螺母       | Nut                 | 1   | From 20100813  |
| 141 | AZ9725477040 | 转向油罐支架      | Bracket             | 1   | To 20101125    |
| 141 | WG9725477040 | 转向油罐支架      | Bracket             | 1   | From 20101125  |
|     |              |             |                     |     |                |